



RAJASTHAN STATE MINES & MINERALS LIMITED

(A Government of Rajasthan Enterprise)

SBU & PC - Limestone,

8, West Patel Nagar, Circuit House Road, Dist. Jodhpur (Rajasthan)
Phone:-91-0291-2516199/ 2511031/ 2515528 Fax: +91-0291-2511029
Website: www.rsmm.com, e-mail: srdeora.rsmml@rajasthan.gov.in

TENDER SCHEDULE

Tender Description	Rate contract for Supply of shaft material (Forged steel CK-45N) and Fabrication Thereof for making Shaft of Double Roll Crusher's Rotor & Repairing the worn out inner Bore Dia. of V-belt pulley of crusher.
Tender No. & Date	RSMM/SBU-PC(LS)/GGM-LS/MM/NIT-01/2022-23 Dated 06.05.2022
Type of Tender	Open Tender (Two Bid System)
Place of Sale	Finance Department, SBU&PC (LS), Jodhpur.
Submission of Tender Document	Office of Group General Manager (LS), SBU&PC (LS), Jodhpur.
Date of Sale of Tender Document	06.05.2022 to 27.05.2022 up to 1:00 PM
Last Date of Receipt of Tender	Up to 3:00 PM on 27.05.2022
Tender Document Fees	Rs. 590/- (Inclusive of GST)
Due Date of Opening	3:30 PM on 27.05.2022
Place of Opening	Office of Group General Manager (LS), SBU&PC (LS), Jodhpur.



RAJASTHAN STATE MINES & MINERALS LIMITED

(A Government of Rajasthan Enterprise)

SBU & PC - Limestone,

8, West Patel Nagar, Circuit House Road, Jodhpur – 342 011

Phone:-91-0291-2516199/ 2511031/ 2515528 Fax: +91-0291-

2511029 Website: www.rsmm.com, e-mail: srdeora.rsmml@rajasthan.gov.in

NIT No: - RSMM/SBU-PC (LS)/GGM-LS/MM/NIT-01/2022-23

Dated 06.05.2022

NOTICE INVITING TENDER

Sealed tenders (in two parts) are invited from manufacturers /their authorized dealers/ reputed & established fabricators for Rate Contract the supply of shaft material (Forged steel CK-45N) and fabrication thereof for making shaft of double roll crusher's rotor & Repairing the worn out inner Bore Dia. of V-belt pulley of crusher for our C & S Plant at Sanu Limestone Mines, Jaisalmer as under:-

Particulars	Description/ Specification	EMD/Bid Security	Cost of Tender document (In Rs.)
Rate Contract for Supply of shaft material (Forged steel CK-45N) and Fabrication Thereof for making Shaft of Double Roll Crusher's Rotor & Repairing the worn out inner bore Dia. of V-belt pulley of crusher for our C & S Plant at Sanu Limestone Mines, Jaisalmer	As per Annexure-I	Bid Security of Rs. 16000/- in the form of DD/BC/PO NEFT/RTGS in favour of RSMML payable at Jodhpur	590/- Cash or DD in favour of RSMML payable at Jodhpur.
Period & Place of sale of tender documents: Finance Department, SBU&PC(Ls), Jodhpur office or download from website www.rsmm.com ; http://sppp.rajasthan.gov.in	From Dated 06.05.2022 to 27.05.2022 up to 1.00 pm		
Last Date & Time of Submission of offer	Dated 27.05.2022 up to 3:00 pm, at Jodhpur office		
Opening of Techno-Commercial BID Offer (Part -I)	Dated 27.05.2022 at 3:30 pm, at Jodhpur office.		

The tenderer/bidder who has earlier been Suspended or banned by the company shall not eligible to participate in this tender during the currency of suspension /ban period. Other detailed terms and conditions are elaborated in the tender document for which please visit us to our web site www.rsmm.com or <http://sppp.rajasthan.gov.in> or contact Manager (MM-Mech.)/Asst. Manager (Mech.) at above address. Keep visiting above website till last date for update information, if any.

Group General Manager (LS)

TIN NO. CST 08693902289/RST 08693902289
GSTIN 08AAACR7857H1Z0

RSMM TENDER DOCUMENTS CONSIST OF FOLLOWING:

Section-I	General instruction for preparation & submission of tender and General Conditions of Tender
Section-II	Special condition of tender
Annexure - I-	Acceptance to the technical specification
Annexure - II	General profile of Tenderer
Annexure - III	Registration details under Micro, Small & Medium Enterprises Development Act, 2006
Annexure - IV	Exceptions & Deviation towards acceptance of all terms & conditions of tender
Annexure - V	Details of Past Experience
Annexure - VI	Check list to tender terms
Annexure - VII	Undertaking that tenderer has not been debarred/suspended by RSMML in past.
Annexure - VIII	Declaration that no condition is mentioned in price bid.
Annexure - IX	Declaration by the Tenderer
Annexure - X	Details of offered Commercial terms & conditions
Annexure - XI	Confirmation for Remittance of all payments through RTGS
Annexure - XII	Compliance with the Code of Integrity and No Conflict of Interest.
Annexure - XIII	Declaration by the Bidder regarding Qualifications.
Annexure - XIV	Grievance Redressal during Procurement Process and Form No. 1
Annexure - XV	Additional Conditions of Contract.
Annexure - XVI	Form A & B (Format of Application by MSME for Purchase Preference in Procurement of Goods)
Annexure- XVII	Rate Schedule (Price Bid)
Annexure- XVIII	Drawing the shaft of double roll crusher rotor.
Annexure- XIX	Drawing the 'V' Belt pulley of double roll crusher rotor.

SECTION – I: INSTRUCTION FOR PREPARATION & SUBMISSION OF TENDER

1. One copy of tender document should be sealed & signed as a token of acceptance of its terms and conditions and should be furnished along-with part -1 of tender (no page should be detached).
2. Tender must be submitted in two parts i.e. Techno - Commercial (Part – I) and Price Bid (Part – II). The tender should be packed in four sealed envelopes as elaborated below Each Envelop should be super-scribed tender no as mentioned above, Bidders name & address :

- a. **Sealed Envelope No. 1:-** This envelop should contain a DD/PO/BC/NEFT/RTGS towards the tender document fee (in case the tender document has been downloaded from the website of RSMML or the copy of cash receipt (in case the tender document has been purchased from the Finance Department, SBU&PC (LS), Jodhpur and bid security as a DD/PO/BC/NEFT/RTGS towards the requisite BID SECURITY/EMD as per provisions mentioned in the tender document in favour of RSMML Jodhpur. Offers not accompanied with the Bid Security will not be considered. While opening of the tender, the envelope containing Bid security will be opened first and in case the same is found as per tender requirement, then only the sealed envelope containing part-I & part-II of offer will be opened. This sealed envelope should be subscribed "Tender Document Fee & Bid Security/EMD of Tender No (as mentioned above)."
 - b. **Sealed Envelope No. 2 :-** This envelop should contain Part-I: Techno-Commercial BID along-with all supporting documents (except the tender document fee, Bid Security & Price Bid) as asked in the tender document. This sealed envelope should be Super scribed Part – I of tender No (as mentioned above).
 - c. **Sealed Envelope No. 3** i.e. Part-II (PRICE BID): This envelop should contain only Price Part as per provisions mentioned in the tender. The sealed envelope should be super scribed PART – II (Price Part) of Tender No. (as mentioned above). No condition should be stipulated in this part, if mentioned any by tenderer, shall be ignored.
 - d. **Sealed Envelope No. 4:-** The above three sealed envelopes should be packed in another sufficiently large envelop to enable it to be opened without tearing the inner sealed envelopes. The outer cover should bear address of the authority who has invited tender and super-scribed there on Tender No (as mentioned above) and the details of above mentioned three envelops.
3. In compliance to the Rajasthan Transparency in Public Procurement Act, 2012 and Rajasthan Transparency in Public Procurement Rule, 2013, following Annexure are enclosed and tenderers are required to furnish duly filled, sealed and signed copies of these Annexure along-with Part-I of offer.
- Annexure- XII: Compliance with the Code of Integrity and No Conflict of Interest.
Annexure- XIII: Declaration by the Bidder regarding Qualifications.
Annexure- XIV: Grievance Redressal during Procurement Process and Form No.1.
Annexure- XV: Additional Conditions of Contract.
4. The tenderer/bidder would give a declaration that they have not been banned/suspended or de-listed by RSMML. If this declaration is not given, the bid will be rejected as non-responsive.
 5. **SALE OF TENDER:** The tender document (non-transferable) can be obtained from the Finance Department, SBU&PC (LS), Jodhpur on payment of applicable non-refundable tender fee of by Cash/Demand Draft/Pay-Order/BC/NEFT/RTGS in favor of RSMML payable at Jodhpur. Alternately interested tenderer(s) may directly download the tender document from website www.rsmm.com/www.sppp.raj.nic.in and furnish their offer along with requisite tender document fee in a sealed envelope as prescribed at clause no. 2(a) of Section-I.
6. **SUBMISSION & OPENING OF TENDER:**
- a. The submission and delivery of tenders within the specified date and time will be the sole responsibility of the Tenderer.
 - b. Tender should be submitted before due date & time at the Office of Group General Manager (Ls), SBU&PC (LS),8, West Patel Nagar, Circuit House Road, Jodhpur – 342 011
 - c. Place of opening of Tender: Part (I) of the tender would be opened on the due date & time at the Office of Group General Manager (Ls), SBU&PC (LS), Jodhpur and Part (II) i.e. price bids of the qualified bidders would be opened later which would be informed to qualified bidders separately.

- d. Tenders will be opened on the fixed date and time in the presence of Tenderer or their authorized representative who may wish to be present at the opening of the tender at the place, time and date as specified in the schedule. In case the date of submission/opening of tenders happens to be a holiday, the tenders shall be opened on the next full working day at prescribed time.
7. **DELIVERY OF TENDER:** The delivery of tenders within the specified date and time will be the sole responsibility of the Tenderer.
- Delayed Tender:** Tenders received after specified time & date of submission but before specified time & date of opening of part-I the tender will be treated as delayed tender.
 - Late Tender:** The tenders received after specified due date & time of opening of tender will be treated as late tender and will not be considered at all.
 - RSMML will not be responsible for delay in delivery of the tenders through post/speed post/courier/personal or any other means.
8. Tenderer should quote as far as possible in the form & pattern, as envisaged herein. It will help in making proper comparison & avoid any errors/emissions. Offers through Fax/e-mail /telegram will not be considered at all.
9. Tenders other than the prescribed lines, form and pattern described herein are liable to be ignored as it could makes comparison erroneous.
10. Printed conditions on the back of letters originating from Tenderer will be ignored.
11. **EXCEPTIONS & DEVIATION/ACCEPTANCE OF ALL THE TERMS & CONDITION OF TENDER:** Tenderers are advised to submit their offer based on terms, conditions and specifications contained in the tender document and not to stipulate any deviations. In case it is absolutely unavoidable to deviate from tender conditions & if a tenderer desires to propose any addition/deviation/alterations to any of the terms and conditions contained in the tender document, the same must be expressed clearly in Annexure-IV and should be furnished along with the offer, without making any corrections on the body of the tender document at their risk. In the absence of same, it will be deemed as unqualified acceptance by the Tenderer to all the terms and conditions contained herein. Company may accept or not to accept the deviations put by the tenderer at its sole discretions. No claim on this will be entertained.
- Tenderer should mention the deviations, if any, at their own risk of rejection of their offer.
 - Deviations mentioned anywhere else in the offer shall be ignored without any consequences.
12. Quotation qualified by such vague and indefinite expressions as "SUBJECT TO IMMEDIATE ACCEPTANCE" or "SUBJECT TO PRIOR SALE" is liable to be ignored.
13. Tenders containing corrections and alterations are liable to be rejected unless all such corrections and alterations are legible, clear and signed by the tenderer.
14. **TENDERER SHOULD FURNISH FOLLOWING AUTHENTICATED SUPPORTING DOCUMENTARY PROOF/DOCUMENTS ALONGWITH PART-I (TECHNO COMMERCIAL OFFER):**
- One copy of complete tender document as issued duly filled and sealed & signed on each page by the tenderer as a token of acceptance of scope of work, terms & conditions of tender.
 - Demand Draft of Tender document fee, if the same is downloaded from the website as per clause no. 2(a) and Bid security in the manner specified in tender as per clause no. 21(Section-I).
 - Details in respect of satisfactorily supplying of similar nature of Stores in Preceding two years. Please enclose copies of Purchase Orders & performance certificate or any other authentic supporting documents, if any, as per format of Annexure-V.
 - In case of authorized dealers, furnish valid Authorization /Accreditation certificate from the manufacturer for participating in the tender.
 - Authorization certificate in favour of the authorized representative of bidder for signing the tender.
 - PAN no. issued by the Income Tax Department.
 - Copy of GSTIN registration certificate.
 - The point wise detailed technical specification of the offered product as per annexure-I.

- i) Confirmation to suitability and conformity of offered items.
- j) Copy of registration certificate under the Micro, Small & Medium Enterprises Development Act 2006, as per annexure-III.
- k) Details commercial terms and conditions.
- l) Duly filled Annexure I to XIX along with the tender documents.
- m) Any other relevant document, in support of eligibility criteria/terms & conditions of tender.

Note: Each & every page of tender document, Annexure & documents furnished along with part I & Part II should be sealed & signed by the authorized person of the tenderer.

- 15. BEFORE SUBMITTING TENDER:** Tenderer shall be deemed to have satisfied himself of all conditions liable to be encountered during the execution of the contract or rates quoted in the offer are adequate and all inclusive with respect to all factors, circumstances and conditions likely to be incidental/encountered to the execution of the contract, as per the scope and conditions given herein.
- 16. SCHEDULE OF RATES:** Rate should be quoted in the Schedule of Rates/Price Bid offer-Part II as per Annexure – XVII (appended hereto). The rate quoted should be both in figures and words. In case of any discrepancy between the figures and written words the lower of the two shall be taken as quoted rate. No conditions should be mentioned in the Price Bid Offer Part – II, in case, if any will be ignored.
- 17. AUTHORITY TO SIGN TENDER:** The tender should be signed by the person who is legally authorized to enter into commitments on behalf of the Tenderer. The authorization letter should be enclosed.
- 18. ACCEPTANCE OF OFFER:** RSMML reserves the right to reject any or all the tenders received or accept a tender either for the total Scope of Work or part thereof or to divide the scope of work in more than one tenderers without assigning any reasons thereof and not to accept the lowest tender without assigning reason for not accepting the lowest tender and no claim shall be entertained in this respect.
- 19. VALIDITY:** The tenderer shall keep the offer open for acceptance by RSMML for a minimum period of **120 days** from the date of opening of tender, within which period the tenderer shall have no right to withdraw, amend, cancel or modify his offer. In case of withdrawal/ amendment/ cancellation/modification the earnest money deposited by the Tenderer, as per clause No. 21.0 hereof, shall stand forfeited. The validity period may be extended further, if required, by mutual consent from time to time.

In case, tenderer, after issuance of communication of acceptance of offer by RSMML, fails to execute the contract as per the conditions of the contract, such an event will be considered as the tenderer calculated willful breach of the contract, the cost & consequence of which shall be on the sole account of the tenderer. Moreover, RSMML have full right to claim damages thereof in addition to the forfeiture of BID Security.

20. TENDER DOCUMENT FEE:

The tenderer shall deposit a sum of Rs. 590/- (Rupees Five hundred ninety only) as tender document fee along with the tender by Demand Draft/PO/BC/RTGS/NEFT. It should be in favour of RSMML payable at Jodhpur. Offers not accompanied with the tender fee will not be considered. Tender fee in any manner other than RTGS/NEFT/Demand Draft/ Bankers Cheque/ Bank Pay Orders will not be accepted.

21. BID SECURITY/EMD:-

- a. The tenderer shall deposit (interest free) a sum of **Rs. 16,000/- (Rupees Sixteen Thousand only)**, as Earnest Money Deposit along with the tender by Demand Draft/PO/BC/NEFT/RTGS. It should be in favour of RSMML payable at Jodhpur. Offers not accompanied with the requisite Earnest Money Deposit will not be considered. EMD in any manner other than DD/PO/BC/NEFT/RTGS will not be accepted.

Our Bank Details are as under:

IDBI Bank,

Account No.:058102000024301

IFSC Code: IBKLO000058

DANLAXMI TOWER, 1ST CHOPASANI ROAD, JODHPUR-342001 (Raj.) India

Note: Tenders are requested to forward the UTR no. & other relevant details through email immediately after deposition of Bid Security through RTGS/NEFT for verification at our end on above mentioned e-mail address.

- b. The tenderer is to furnish the EMD as per clause 21(a) while opening of the tender, it shall be first ensured that EMD is furnished and in case the same is found as per tender requirement, then only the offer will be opened. The offer of the tenderer(s) who has not furnished EMD of requisite amount and in prescribed manner will not be considered.
- c. The EMD shall be forfeited in case of:-
 - (i) If tenderer unsolicited revises and/or modifies and/or withdraw and / or amend their tender at its own after submission of tender.
 - (ii) If it is established that tenderer have submitted any wrong information/forged document along with the tender or thereafter/ found indulge in unfair trade practices.
 - (iii) If the tenderer declines to accept the contract/order placed by the Company subsequent to acceptance of his offer.
 - (iv) If the tenderer does not submit the security deposit cum performance guarantee.
- d. The EMD furnished by the unsuccessful tenderers will be refunded after finalization of tender / validity of the offer has expired. EMD of successful tenderer will be refunded after receipt of Security Deposit cum performance guarantee.
- e. The earnest money of a tenderer lying with the company in respect of other tenders awaiting approval or rejected or on account of contract completed will not be adjusted towards earnest money deposit against this tender, however, the earnest money originally deposited may be taken into consideration in case tender is re-invited.
- f. In case of participation by Undertakings, Corporations, Autonomous Bodies which are controlled and managed by Govt., Govt. Undertakings and Companies of Union Govt. & Govt. of Rajasthan, they are exempted from deposition of Earnest Money.
- g. EMD will be taken @ 25% of the total value of EMD of tender in case of participation by SSI unit of Rajasthan subject to that the tenderer has participated against the tender in a capacity of manufacturer of offered product.
- h. Except above, no EMD exemption will be given to any party on any grounds and their offer will be liable for rejection.

22. PURCHASE PREFERENCE TO MSME FIRMS:- The purchase preference will be given to MSMEs firms of Rajasthan as per notifications issued by Finance Department, GoR. For availing the purchase preference, bidder has to furnish declaration/certificate as per Form-A & B Annexed.

23. RELAXATION IN TENDER DOCUMENT FEES, BID SECURITY & SECURITY DEPOSIT CUM PERFORMANCE GUARANTEE: Tenderers offering in capacity of micro, small and medium enterprises of the State of Rajasthan, having acknowledgement of Entrepreneurs Memorandum-II/Udyog Aadhaar Memorandum as mentioned in Micro, Small and Medium Enterprises Development Act, 2006, issued by the competent authority facilitated, on furnishing of a self-attested copy of acknowledgement of Entrepreneurs Memorandum-II/Udyog Aadhaar Memorandum, following relaxations will be provided-

- a. Tender document fees will be taken @50% of the prescribed total value of Tender document fees.

- b. Bid Security will be taken @25% of the total value of Bid Security. In case of offering the quantity lesser than the tendered quantity, then they can submit proportionate amount of bid security in proportion to the quantity being offered with respect to the bid security amount for tender quantity.
- c. Security Deposit will be taken @ 0.5% of the total value of order/contract.

In case of participation by Undertakings, Corporations, Autonomous Bodies which are controlled and managed by Govt., Govt. Undertakings and Companies of Union Govt. & Govt. of Rajasthan, they are exempted from deposition of Bid Security. However, they have to give declaration as per Annexure-(XI).

Except above, no other exemption in respect of Tender Document Fee, Bid Security and Security Deposit (Performance Security) will be given to any party on any grounds and their offer will liable for rejection.

24.0 RSMML RIGHTS: The Company reserves to exercise the following rights at its sole discretion without assigning any reasons thereof. The decision of the Company in this regards shall be final and binding:-

- a) to reject any or all the tenders received.
- b) to accept a tender either for the total requirement or part thereof or to split the work in more than one tenderer & not to accept the lowest tenderer.
- c) to enter into parallel Rate Contract with more than one tenderer.
- d) to cancel the tender, postpone it for another date, change the venue of receipt of the tender etc.
- e) to increase/decrease the quantity.
- f) to check the genuineness of products during the RC.

For RAJASTHAN STATE MINES & MINERALS LIMITED,

**Group General Manager (LS)
SBU-PC (LS)**

I/ We have studied the above terms and conditions and having understood the same in true sense and spirit I/We shall abide by and adhere to the above terms and conditions fully.

Date:
Place:

Signature of the Tenderer with official stamps

Section II: SPECIAL CONDITIONS OF CONTRACT (SCC)

- 1. SPECIFICATION:-** Detail technical specification of NIT No. RSMML/SBU-PC (LS)/GGM-LS/MM/NIT-01/2022-23 Dated 06.05.2022 for Rate Contract for Supply of shaft material (Forged steel CK-45N) and Fabrication Thereof for making Shaft of Double Roll Crusher's Rotor & Repairing the worn out inner Bore Dia. of V-belt pulley of crusher for our C & S Plant at Sanu Limestone Mines, Jaisalmer are as per annexure-I.
- 2. DELIVERY PERIOD:** The tenderer should offer minimum possible delivery period for supply of offered items. The delivery of items will be taken on as and when required basis during the period of contract. Which should not be more than 60 days from the date of receipt the Damaged Shaft Rotor/ 'V' Belt pulley at your work/site.
- 3. QUANTITY:-** RSMML reserves the right to increase/ decrease the quantity items as per requirement of company.
- 4. PERIOD OF CONTRACT:** The period of contract will be one year from the date of issue of LOA/ Rate contract. RSMML may extend the RC period for 3 months on same rates, terms & conditions at its sole discretion.
- 5. SCOPE OF SUPPLY:**
 - a) The scope of supply shall be the delivery by the supplier as per Annexure-I at Sanu Mines, Jaisalmer in accordance with the Terms and Conditions of the Tender.
 - b) The supplier shall be deemed to have carefully examined and to have knowledge of the general and other conditions, schedules, and all other documents forming part of the contract, and also to have satisfied himself as to the nature and character of the Stores to be delivered under the contract.
 - c) If it is observed during the repair of rotor, that any one of among four inner bush plate found in damaged condition the same may be reported to RSMML on prior time and if replacement is essential only after confirmation by RSMML representative, work shall be undertaken in that condition only, cost of steel material only shall be bear by RSMML for replacement of damaged bush plate.
 - d) The supplier shall be entirely responsible for the performance of the contract in all respects according to the intent and meaning of the specification data.
 - e) The supplier shall be entirely responsible for the fitting & performance of V Belt pulley on shaft with key in all respects of the specifications of data..
 - f) The arrangement for delivery of damaged shaft along with rotor assembly and 'V' belt pulley will be made by RSMML through truck transport on RSMML cost at successful bidder workshop/site. However, arrangement for transport of entire assembled rotor along with return of damaged shaft and Repaired 'V' Belt pulley at our site (Sanu Limestone Mines, Ramgarh Road, Dist. Jaisalmer, Rajasthan) delivery charges shall be inclusive in your rate part offer for the entire work i.e. Shaft material (Forged steel CK-45N), fabrication as per our drawing (Annexure – XIII), removing of damaged shaft from rotor and fitting work of new shaft in rotor with all related work. Repairing the worn out inner Bore Dia. of V-belt pulley as per our drawing (Annexure – XIX) and transport back to our above mentioned site.
- 6. EVALUATION OF TENDER:-**

Pre-qualifying criteria:

 - a) The tenderer should be manufacturer/their authorized dealer/ established & reputed fabricators. They must submit the purchase order/Work Order of similar nature of stores during last two years.
 - b) Clientele served of similar nature of stores during last two years along with photocopies of orders and repeat orders and performance certificates, if any.

- c) The tenderer who fails to furnish the prescribed EMD (as per clause 21(a) of Section- I) shall not be eligible for participation.

7. PRICES:

- a) The prices are to be quoted as per performa enclosed here with (Price bid) Part-II as Annexure XVII.
- b) The quoted rates shall remain firm & fixed during the complete execution of the contract. No escalation on whatsoever ground will be admissible.
- c) The price quoted should be both in figures and in word. In case of any discrepancy between the figures and written words, the lower of the two shall be taken as the quoted price.
- d) Entries should be neat and legible without any correction. Corrections, if any must be signed in full with date. The prices should be on FOR destination basis.
- e) If it is required to provide the excise duty or any other charges extra, the same must be specifically stated. In the absence of any such stipulation it will be presumed that the price includes all such charges and no claim for the same will be entertained.
- f) Timely deposition of GST and filing of requisite tax returns of relevant tax period would be the sole responsibility of the supplier. The supplier will also ensure that necessary credit on this account is available to RSMML in the next month. In case of any discrepancy, where credit is not available to RSMML, then company is free to deduct/recover/retain such amount from the bills of supplier or any other amount due to him/ or from Security Deposit, as the case may be.
- g) In case of reversal of Input Tax Credit (ITC), imposition of penalty on account of payment of GST and default in filing of returns towards the payment for the work, supplier is liable to pay all such dues to the company, failing which RSMML is free to deduct /recover/ retain such amount from the bills of supplier or any other amount due to him/ or from Security Deposit, as the case may be.
- h) Exemption for Taxes & Duties: Incase tenderer is exempted from any taxes & duties levied by State/Central Govt., then, the tenderer is requested to stipulate the same on his letter head along with the offer & also furnish the relevant supporting documents.

8. PRICE VARIATION:- The quoted price should remain firm and fixed till the completion of supplies. Only variation on account of changes in Taxes & Duties by the Government will be considered. No escalation/ variation on any other grounds whatsoever shall be considered or be admissible:

- a) Escalation on Government Taxes & Duties: The tenderer will indicate in his offer the applicable Taxes & Royalty at the time of opening of Part-I offer. In the event of any increase/decrease in the Taxes & royalty by the Government, the difference of the same shall be passed on to the Contractor/RSMML as the case may be. The subsequent increase/decrease shall be payable only on the production of authentic documentary proof by the tenderer.
- b) Save and except as aforesaid, the tenderer shall not be entitled to raise any claim and/or demand and/or any dispute on account of escalation or raise or increase in the prices of any other item or element whether in respect of electrical charges, high speed diesel, oil, lubricants, tyres, tubes, spares, wages or minimum wages of workmen either statutory or contractual under any settlement or award or otherwise or on any other ground/or reason whatsoever.

9. SHORT LISTING OF TENDERER:

RSMML will qualify and judge the techno-commercial suitability of the offers & short list the tenderer for price bid opening on the basis of documents furnished along with part-1 of the offer and/ or the information gathered by the RSMML about the tenderer. The price bid of only short-listed tenderer(s) will be opened on a later date, which will be informed to such tenderer(s) only. The decision of the Company shall be final and binding in this regard. The Company will not entertain any correspondence on this subject.

The tenderer who have earlier been suspended or banned by the company shall not be eligible to participate in this tender during the currency of suspension/ban period.

10. DETERMINATION OF LOWEST BIDDER FOR EVALUATION PURPOSE:

- a) For evaluation purpose, the lowest tenderer shall be determined on the basis of sum of total landed cost of the offered items inclusive of all duties, taxes, one side transportation & Freight charges, Insurance, P & F, any other delivery charges up to destination (Except GST, i.e. IGST/CGST/SGST) and giving effect of any other duties/taxes levied/ exempted except GST by the State/Central Govt. which are applicable directly / indirectly on the supply/repair of rotor shaft. On similar basis L2, L3, L4, Tenderers will be determined.
- b) In case RSMML opt for placing the rate contract to more than one tenderer, then initially L2 tenderer will be extended opportunity to match L1 rate after giving effect, as above, on refusal by L2 tenderer, then to L3 tenderer & so on.
- c) In the event the company does not find the lowest quoted rate, acceptable to it, then the tender will be scrapped and may be re-invited, or company may take any other suitable action as deemed fit looking to the exigency of the work.

11. NEGOTIATIONS:

- a. Negotiations will be conducted with the lowest tenderer only. In case of non-satisfactory achievement of rates from lowest tenderer, RSMML may choose to make a written counter offer to the lowest tenderer and if this is not accepted, RSMML may decide to reject and re-invite fresh tenders or to make the same counter-offer first to the second lowest tenderer, then to the third lowest tenderer and so on in the order of initial bidding, and work order be awarded to the tenderer who accepts the counter offer.
- b. In the case, when the quotations given by the tenderer during negotiations is higher than the original quotation of the tenderer then the tenderer will be bound by the lower rate originally quoted by the tenderer.
- c. In case of negotiations, representative of the tenderer attending negotiations must possess written authority from the tenderer to the effect that he is competent to modify/amend the submitted tender deviations and rates offered by them.
- d. In the event the company does not find the lowest quoted rate, acceptable to it, then the tender will be scrapped and may be re-invited, or company may take any other suitable action as deemed fit looking to the exigency of the work.

12. DELIVERY TERMS:

- a) The delivery of the stores/repaired items is required at Sanu Limestone Mines, Ramgarh Road, Jaisalmer and should be dispatched as per the schedule mentioned in purchase/work order placed. The tenderer should state the earliest delivery period they can offer for full or part quantity.
- b) Should the supplier fail to deliver the stores in full or part within the delivery period of the contract, Company will be entitled to cancel the contract in full or for undelivered portion and to purchase at the risk and cost of the tenderer.

13. INSPECTION:

- a) Inspection shall be carried out by RSMML representative at the time of fabrication the shaft material and after the fabrication of roll shaft or prior to dispatch of assembled rotor. However, in all the cases, intimation shall be sent by the supplier through e- mail or by post for the same. However, the final inspection shall be carried out at consignee's end after receipt of the material at site which will be final and binding to both parties.
- b) RSMML's right to inspect, test and, where necessary, reject the items after the arrival at RSMML site shall in no way be limited or waived by reason of the items having previously been inspected, tested and passed by the RSMML or its representatives prior to the goods.
- c) RSMML at its sole discretion may conduct third party inspection of supplied material after

arrival of material at RSMML site and before final acceptance. The cost of such inspection will be borne by RSMML. In case Material are not found meeting the tender /order specifications in third party inspection, supplier will replace the material at their cost irrespective of the fact that the material was earlier found acceptable during Pre -Dispatch Inspection by RSMML.

- d) In case of rejection of any supply, the same should be replaced immediately within 30 days of intimation for rejection. Tenderer will take rejected material back at his own risk, cost and transportation.

14. CONSIGNEE: The Consignee is:-

**Unit In charge(LSU),
or his authorized officer.
Sanu Limestone Unit, RSMML,
53 Km from Jaisalmer Head Quarter,
Ramgarh Road, Jaisalmer, Rajasthan**

15. INSURANCE: The materials are ordered on F.O.R Destination basis, the supplier shall insure the Stores against all transit risk from warehouse to warehouse basis at his own cost

16. TECHNICAL DATA:- Stores shall confirm the technical specifications as per **Annexure-I.**

17. QUALITY OF ITEMS & STANDARD APPLICABLE WARANTEY:

- a. The tenderer shall warrant that the stores/materials supplied under the contract/order will be new, unused and shall be free from all errors and faults in items& workmanship.
- b. The supplied items will be consistent with the established, recognized or stipulated standards for materials of the type ordered and in full conformity with the specifications, drawings or samples, if any.
- c. Warranty will be applicable in respect of sub-standard materials, poor workmanship and faulty design (excluding normal wear and tear) for a period of 12 months from the date of commissioning or 18 months from the date of receipt, whichever is earlier. This warranty shall survive inspection and acceptance of the goods.
- d. In the event of any defect in material, quality and workmanship during the aforesaid period is found due to faulty material, quality or poor workmanship, the defective part will be replaced by the supplier at site free of cost within 30 days from the date of issue of letter (by registered/speed post) of warranty claims. The tenderer will be required to stock supplied items to take care of warranty failures. The guarantee/composite warranty shall be submitted along with the bill. Tenderer will also replace the defective items, if any, during the warranty period free of cost. The responsibility to collect the defective/ rejected material will lie with the supplier and the cost for such collection will have to be borne by the supplier.
- e. In case, supplier fails to replace the rejected items within the stipulated period as above, RSMML shall be entitled to recover from the supplier as agreed pre-determined compensation @ 1/2% (Half percent) per week of the total value of undelivered stores for each week or part thereof the delivery has been delayed, subject to a maximum of 5% of the total value of the undelivered stores.

18. NO COMPENSATION FOR ALTERATION OF DELIVERY SCHEDULE OR SUSPENSION OF SUPPLIES: If at any time after commencement of the supply, if the Company, for any reason, whatsoever do not require the whole supply or part thereof as specified in the LOA/PO, shall give notice in writing of the same to the supplier and the supplier shall not be entitled for any compensation and/or damage of any kind whatsoever on account for loss or profit etc. nor the tenderer be entitled to any claim for compensation for re-scheduling of delivery period.

19. SECURITY DEPOSIT-CUM-PERFORMANCE GUARANTEE:

- a) Successful bidder(s) is to furnish Security Deposit cum Performance Guarantee (Performance Security) as below-

The rate of security deposit (performance security) as per the prevailing terms and condition of the Company is @ 5% of total order value. However, the reduced performance security @ 2.5% of the total order value will be taken initially in compliance of the notification dated 18.12.2020 issued by finance department, Govt. of Rajasthan pertaining to amendment in RTPP Rule no. 75(2) applicable up to 31.03.2023. In case, The Govt. of Rajasthan either revises the rates of security deposit (performance security) later at any date or does not extend the existing date of providing the benefits of reduced security deposit (i.e. 31.03.2023), the successful bidder would be bound to deposit the differential security deposit amount toward performance security either through any options as specified below, within a period of 30 days of the demand raised by the Company. In case of non-payment of differential amount in the stipulated time period (or as extended by the company), the company may recover the same from due payments to bidder and/or take penal action as per provision of tender/other guidelines.

Security Deposit cum Performance Guarantee will be submitted by the bidder in the form of Demand Draft or in the form of Bank Guarantee in RSMML Performa from any Public Sector /ICICI/HDFC/AXIS Bank (except state Bank of India) having its Branch at Jodhpur, within 21 days from the date of LOA/PO on the stamp paper of appropriate value. The Bank Guarantee should be valid for a period of 30 months inclusive of claim period.

- b) In case SD is being furnished in the form of Bank Guarantee, the BG should be furnished on the non-judicial stamp paper of the value equal to 0.25 % (zero-point twenty five percent) of the total Security Deposit Amount subject to maximum of Rs. 25000/- or as applicable on the date of issue of BG.
- c) The SD shall be liable to be invoked/amount of SD is liable to be forfeited wholly or partly at the sole discretion of the Company, should the supplier either fails to execute the work within the stipulated period or fails to fulfill the agreed obligations or fails to settle in full, it's dues to the Company.
- d) The Company is empowered to recover from the SD any sum due and/or any other sum that may be fixed by the Company as being the amount or loss or losses or damages suffered by it due to unsatisfactory performance or non-fulfillment of any of the conditions of the tender/contract.
- e) The Bank Guarantee/SD shall remain in force and binding, notwithstanding, if any variation, alteration, modification etc. are made to the contract or any extension of the contract period are granted by RSMML.
- f) RSMML shall not pay any interest on the Security Deposit. The Security Deposit shall be released on application by the contractor after expiry of guarantees and after discharge of all the supplier's obligations under the contract.
- g) The said Security Deposit shall not in any way be construed as a limitation of the supplier's responsibility or liability pertaining to its obligations and guarantees under the contract and shall be without prejudice to any remedies available to RSMML in terms of the contract and or as per the laws of the land.
- h) Bank Guarantee/SD should be sent to the office of Group General Manager (Ls), SBU & PC (LS), Jodhpur.

20. TERMS OF PAYMENT & PAYING AUTHORITY:

- a) The Company's standard terms of payment are 100% payment within 30 days after receipt and acceptance of stores by consignee.
- b) Billing & Paying Authority: The bill in triplicate along-with the supporting documents duly verified by the consignee will be released by Payment disbursing authority – The Payment disbursing authority is Head of Finance Department, SBU&PC (LS), Jodhpur.
- c) Payment will be made through RTGS/NEFT. All bank charges/ commission, if any, shall be borne by the supplier
- d) Payment will be made after deducting statutory taxes i.e. TDS/ WCT/GST etc wherever applicable.

21. COMPENSATION FOR DELAYED DELIVERY: In the event of the supplier fail to deliver the stores as per agreed specification in full/part as per delivery schedule, the Company shall be entitled at its option:

- a) To recover from the tenderer as agreed compensation @ 0.5% of the value of the undelivered stores, for each week or part thereof subject to a maximum of 5% of value of undelivered store.
- b) Either to purchase from elsewhere, without notice to supplier at his risk and cost of full undelivered part, as the case may be.

OR

- c) To cancel the contract.

In case of b & c above, the company will be empowered to purchase stores which are readily available with alternate source to meet his requirements, irrespective of the fact whether these are similar or not.

22. PRICE FALL CLAUSE: In the event of supplier accepting lower prices for supplies covered under the contract to any other companies during the pendency of the contract, the lower price and charges will also be applicable to this contract. The supplier must intimate RSMML as soon as they accept lower prices from any other company including PSU and Government Organization.

23. ASSIGNMENT: The contractor shall not sublet, transfer or assign this contract or any part thereof (or any benefit or interest therein and there under) without written consent of the company. But such consent of the company, if given shall not relieve the contractor from any liability or obligation under this contract and the contractor shall be responsible for all acts, defaults and neglects of the sub-contractor, his agents and employees fully as if those are the Contractor 's own acts.

24. INDEMNIFICATION: Except where arising from the negligence of RSMML or RSMML's employees, the supplier shall indemnify RSMML in respect of any costs or damages, whatsoever arising out of or related to breach of statutes, laws, acts, rules and regulations, damage, accident or loss etc. by the supplier or suppliers personnel or by claims made against RSMML by third parties in respect thereof.

25. TERMINATION:

- a) In case of failure to perform the job as required under this tender or observe breach of any of the terms and conditions by the tenderer, the company shall give a notice to rectify such default/breach may result in termination of the contract and forfeiture of Security Deposit without any prejudice to the company's rights to claim damages/costs/loss etc. caused by such default/breach. Such termination shall not absolve the supplier of the liabilities accruing till the date of such termination.
- b) The contract may also be terminated in the event the supplier is being adjudged insolvent or going into Liquidation or Winding up of their business, or making arrangement with their creditors.
- c) Notwithstanding anything contained herein above, the Company in its absolute discretion may at any time terminate the order without assigning any reason thereof by giving fifteen days' notice to the supplier at their last notified address. In such an event the supplier shall not be entitled to raise any claim or demand for compensation, loss of profit and/or damages and/or losses or costs by reason of such earlier termination on any ground whatsoever

26. INDIAN/BSS STANDARD: All specification mentioned in the tender documents are based on Indian Standards or equivalent and where no Indian standards exists the supplies conform to B.S.S. All electric installations, equipment's etc. shall have to conform to Indian Electricity Rules 1967 and as amended from time to time.

27. FORCE MAJEURE: At any time, during the continuance of the contract, the performance in whole or in part by either party (sub-vendors excluded) and/or obligations under this contract shall be prevented or delayed by reason of any war, hostility acts of public enemy, civil

commotion, sabotage, fires, floods, explosion, epidemics, quarantine restrictions, non-performance due to labour strikes, lock-outs and Acts of God or Acts of Government/statutory bodies (hereinafter referred as "Event") then provided a notice of the happening of any such event is given within seven days from the date of occurrence thereof neither party shall by reason of such event be entitled to terminate this contract nor shall either party have any claim for damage against the other in respect of such non-performance or delay in performance and the deliveries and/or performance of the work under the contract shall be resumed as soon as practicable after such event has come to an end or ceased to exist and decision of Company as to whether the deliveries and/or performance of the work have been so resumed or not shall be final and conclusive. Provided further that if the performance in whole or in part is delayed by reasons of any such events for a period exceeding thirty days either party may at its option terminate the contract.

28. JURISDICTION: The contract is subject to the jurisdiction of courts of Jodhpur in the state of Rajasthan only.

For RAJASTHAN STATE MINES & MINERALS LIMITED,

**Group General Manager (LS)
SBU-PC (LS)**

I/We have studied the above terms and conditions and having understood the same in true sense and spirit, I/We shall abide by and adhere to the above terms and conditions fully.

Signature of Tenderer with official stamps

Place & Date:

ACCEPTANCE TO THE TECHNICAL SPECIFICATION FOR THE SUPPLY OF SHAFT MATERIAL & FABRICATION THEREOF MAKING FOR SHAFT AND REPAIRING THE WORN OUT INNER BORE Dia. OF V BELT PULLEY OF DOUBLE ROLL CRUSHER'S ROTOR:

CHECK LIST TO SPECIFICATIONS

(To be submitted - part - I of the offer)

Name of tenderer: _____

S. No.	Description of Work	UOM	Deviations	if any
1	Supply, Fabrication and fitting of new crusher's rotor shaft by using CK 45 N forged steel (for ThyssenKrupp make crusher; Ø 1000 X 1200); its proper normalization prior to its replacement by damaged rotor shaft fitted in rotor supplied by us, after carrying out all other related repair works including removing of damaged shaft, line boring, welding etc. However, you may have to replace taken out keys, fabrication of bush plate (if required necessary) and their fitting back with new fabricated shaft in rotor as per enclosed drawing etc. Shaft materials used for fabrication shall be duly tested from authorized laboratory, in addition to other related tests like ultrasonic test for detecting cracks etc and the same will be supported by certificate for its being a genuine material & defect less in all respects. However, the final specification of fabricated shaft used by you in assembling work shall match with our drawing (i.e. length of finished shaft 2319 mm & Ø 200mm). (As per Drawing at Annexure - XVIII of shaft of Roll crusher rotor)	No.		
2.	Work of repairing the worn out inner bore Dia. of V-belt pulley of crusher (i.e. Boring the inner bore Dia. up to 145 mm and fill up the welded material up to 125 mm dia. then after again turning the inner bore dia. up to 130 mm and making the key way groove) as per Drawing at Annexure - XIX of V Belt pulley of Roll crusher rotor. Supply the new key as per dimensions of pulley and shaft key way groove.	No.		

Special Notes:

1. If, there is any deviation it should be specifically mentioned for proper evaluation of offer.
2. Please enclose leaflet/ brochure and technical details of the offered make & model.

We hereby confirm and accept to supply of material as per above specifications.

Signature of Tenderer with official stamps

Date & Place

GENERAL PROFILE OF THE TENDERER

(To be submitted - part – I of the offer)

1.	Name & address of the tenderer with contact Details Contact No.: e-mail: Fax No.:			
2.	Name, email id & contact Nos. of Authorized Person dealing with tender			
3.	Status of Tenderer i.e. Manufacture/ Authorized Dealer/Bonafide Dealer/ reputed suppliers/any other.			
4.	whether proprietor/partnership/ Company			
5.	Name of owner/partners Directors with full address			
6.	Annual turnover in Rupees (indicate the figures of last three years)	2021-22	2020-21	2019-20
7.	PAN No.			
8.	GSTIN No.			
9.	HSN Code of offered items			
10.	Entrepreneurs Memorandum No. as per MSMED Act. 2006 Nature of Activity (Manufacturing/Service) Category of Enterprise(Micro/Small/Medium)			
11.	Banker details:- Name: Branch No: Address:			
12.	Bank Account No:			
13.	Type of A/c: Saving/Current/CC/any other			
14.	IFSC Code:			
15.	Any other important information related to the tender requirement.			
16.	Offer Delivery Period for Supply from the date of issue of LOA/PO by RSMML.			

Signature of Tenderer with official stamps

Date:

Place:

**Declaration for Registration under Micro, Small & Medium Enterprises
Development Act, 2006**

(To be submitted - part - I of the offer)

1. Whether the tenderer is registered under Micro, Small & Medium Enterprises Development Act, 2006. _____ (YES/NO)
2. If yes, please furnish the declaration given below.

We (Name of Tenderer _____), hereby declare that, our organization is registered under Micro, Small & Medium Enterprises Development Act, 2006 as _____ (Micro, Small & Medium) Enterprises having entrepreneurs Memorandum No..... and under category of (Manufacturer/Service Provider)

3. Enclose attested copy of registration certificate.
4. Whether the tenderer is also registered as S.S.I. units, if yes, enclose copy of registration certificate.

Signature of tenderer with official stamp

Date:

Place:

EXCEPTIONS AND DEVIATIONS
(To be submitted - part - I of the offer)

Name of Tenderer_____

We confirm that all the terms & conditions of tender is acceptable to us except the following.

Tenderer may stipulate here exceptions and deviations to the tender conditions, if considered unavoidable. In case the tenderer does not mention any information to the deviations in the below format & furnish it blank then it will be presumed that the tenderer is not offering/ putting any deviations to the tender terms & condition. Tenderer should mention the deviations, if any, at their own risk of rejection of their offer.

Sl.No.	Tender Clause no.	Requirement as per tender clause	Offered condition/ Deviation

Company may accept or not to accept the deviations put by the tenderer at its sole discretions. No claim on this will be entertained.

We further undertake that we have not mentioned any condition anywhere in the tender document, if any may be ignored.

Signature of tenderer with official stamp

Date:

Place:

DETAILS OF PAST EXPERIENCE

(To be submitted - part – I of the offer)

List of order(s) executed of similar nature work:-

Sl. No.	Purchaser Name &Address	Order no. & Date & volume of order	Quantity Supplied with value in Rs.
1			
2			
3			
4			
5			

Note: Essentially enclose copies of Work Orders and / or Performance Certificate / completion certificates.

Signature of Tenderer with official stamps

Place:

Date:

Annexure – VI**CHECK LIST**

(To be submitted - part – I of the offer)

(While submitting the tender, each column should be filled by the tenderer. In case, any column does not relevant it should be mentioned as ‘not applicable’.)

S.No.	Particulars	Agreed / Provided	Deviation in case of not agreed
1	Bid Securing declaration		
2	One complete tender set duly signed & sealed as token of acceptance		
3	Validity 120 days		
4	Details of mfg., Capacity, testing facilities, quality control etc.		
5	Past experience details in Annexure-V along with supporting documents.		
6	TIN No.		
7	IT PAN No.		
8	Undertaking that no condition is mentioned in the Price Bid		
9	Declaration that tenderer have not been banned/suspended.		
10	Acceptance of Determination of lowest bidder clause		
11	Authorization certificate in case of dealer		
12	Acceptance of RSMML Right		
13	Acceptance to specification & scope of works		
14	Acceptance of Inspection, Sampling, Testing, acceptance & rejection		
15	Acceptance to Security Deposit		
16	Acceptance to Payment Terms		
17	Compensation for delayed delivery		
18	No Compensation for alteration of delivery schedule		
19	Acceptance of Performance Guarantee/Warranty		
20	Acceptance to termination clause		
21	Acceptance to force majeure clause		
22	Acceptance to jurisdiction clause		
23	Acceptance to exception/deviation clause		
24	Acceptance to termination clause		
25	Confirmation to suitability and conformity		
26	Declaration regarding registration with MS&MED act, 2006		
27	Delivery period		
28	Acceptance to Indemnification clause		
29	Price: (No price indication should be here) a) FOR destination b) Firm & fix. c) Packing & forwarding d)Freight & Insurance e) Excise duty /Custom Duty & CESS on Duty f) Sales tax g) Any other taxes & duties h)Attested copy of exemption in taxes & duties, if any,	@_____ @_____ @_____	
30	Duly filled up annexure, I to XIX		
31	Any Other Information (Give Details)		

Signature of Tenderer with official stamps

Date & Place:

DECLARATION OF NON SUSPENSION/NON BANNING/GST

(To be submitted - part – I of the offer)

Name of the Tenderer: _____

- a) We hereby declare that we have not been banned /suspended or de-listed by RSMML in past.
- b) We undertake that "as on date, no default has been made by us towards payment of GST and all returns up to the last date of submission of bid have been filed by us."

Signature of Tenderer with official stamp

Date:

Place:

DECLARATION THAT NO CONDITION IS MENTIONED IN PRICE BID

(To be submitted - part – I of the offer)

Name of Tendered: _____

- a) We confirm that all the terms & conditions of tender are accepted to us and we will supply the material as per technical specifications of tender.
- b) We hereby undertake that we have not mentioned any condition in the price bid.

Signature of Tenderer with official stamps

Date: Place:

DECLARATION BY TENDERER
(To be submitted - part – I of the offer)

I/We declare that I am/we are manufacturers /their authorized dealers/ reputed & established fabricators in the goods/stores/equipment's for which I/We have tendered.

If this declaration is found to be incorrect then without prejudice to any other action that may be taken, my/our bid security/security deposit may be forfeited in full and the tender if any to the extent accepted may be cancelled.

Signature of tenderer with official stamp

Date:

Place:

Note- Tick (√) on tenderer's status as above and attach suitable documents in support of status of bidder i.e. Manufacturer or Authorized dealer or distributor.

DETAILS OF OFFERED COMMERCIAL TERMS

(To be submitted - part – I of the offer)

Name of Bidder: _____

Particulars	% Rate considered in price bid
Price Basis	For Destination
GST (IGST/CGST/SGST)	@.....%
CGST	@..... %
SGST	@..... %
GST on Transportation, Insurance & any other delivery charges up to destination.	@.....%
Details of Exemption on Duties & Taxes, if any.

- Note: 1.Tenderers are requested to mention GST (IGST/CGST/SGST) on said charges in the respective column & row of GST (IGST/CGST/SGST) in Rate Schedule (Price Bid) accordingly.
- 2.In case the tenderer is availing any exemption/ concession on GST (IGST/CGST/SGST) etc. The details of the same should be clearly provided and the supporting document issued by the respective Govt. Dept./ agencies should be enclosed.

Signature of Tenderer with official stamps

Date:

Place:

Confirmation for Remittance of all payments through RTGS

(To be submitted - part – I of the offer)

We confirm our acceptance for remittance of all our due payments by RSMML i.e. payment against bills, refund of EMD, refund of SD, etc. through RTGS (Real time gross settlement system) directly to our bank account. Our RTGS details are as under:

S. No.	Description	Tenderer details
1	Name of Tenderer	
2	e-mail ID	
3	Bank Account No.	
4	Banker details: a) Name b) BranchNo. c) Address	
5	Type of A/c :Saving / Current/CC/any other	
6	IFSC code	

Signature of Tenderer with official stamps

Date: Place:

Compliance with the Code of Integrity and No Conflict of Interest

Any person participating in a procurement process shall –

- a) Not offer any bribe, reward or gift or any material benefit either directly or indirectly in exchange for an unfair advantage in procurement process or to otherwise influence the procurement process;
- b) Not misrepresent or omit that misleads or attempts to mislead so as to obtain a financial or other benefit or avoid an obligation;
- c) Not indulge in any collusion, Bid rigging or anti-competitive behaviour to impair the transparency, fairness and progress of the procurement process;
- d) Not misuse any information shared between the procuring Entity and the Bidders with an intent to gain unfair advantage in the procurement process;
- e) Not indulge in any coercion including impairing or harming or threatening to do the same, directly or indirectly, to any party or to its property to influence the procurement process;
- f) Not obstruct any investigation or audit of a procurement process;
- g) Disclose conflict of interest, if any, and
- h) Disclose any previous transgressions with any Entity in India or any other country during the last three years or any debarment by any other procuring entity.

The Bidder participating in a bidding process must not have a Conflict of Interest. A Conflict of Interest is considered to be a situation in which a party has interests that could improperly influence that party's performance of official duties or responsibilities, contractual obligations, or compliance with applicable laws and regulations.

- i) A Bidder may be considered to be in Conflict of Interest with one or more parties in a bidding process if, including but not limited to:
 - a) Have controlling partners/shareholders in common; or
 - b) Receive or have received any direct or indirect subsidy from any of them; or
 - c) Have the same legal representative for purposes of the bid; or
 - d) Have a relationship with each other, directly or through common third parties, that puts them in a position to have access to information about or influence on the bid of another Bidder, or influence the decisions of the Procuring Entity regarding the bidding process; or
 - e) The Bidder participates in more than one bid in a bidding process. Participation by a Bidder in more than one bid will result in the disqualification of all bids in which the Bidder is involved. However, this does not limit the inclusion of the same subcontractor, not otherwise participating as a Bidder, in more than one bid; or
 - f) The Bidder or any of its affiliates participated as a consultant in the preparation of the design or technical specifications of the Goods, Works or Services that are the subject of the bid; or
 - g) Bidder or any of its affiliates has been hired (or is proposed to be hired) by the Procuring Entity as engineer-in-charge/consultant for the contract.

Declaration by the Bidder regarding qualifications Declaration by the Bidder:

In relation to my/ our Bid submitted to.....for procurement ofin response to their Notice Inviting Bids No.....datedI/we hereby declare under Section 7 of Rajasthan Transparency in Public Procurement Act 2012, that :

1. I/we possess the necessary professional, technical, financial and managerial resources and competence required by the Bidding Document issued by the Procuring Entity;
2. I/we have fulfilled my/our obligation to pay such of the taxes payable to the Union and the State Government or any local authority as specified in the Bidding Document;
3. I/we are not insolvent, in receivership, bankrupt or being wound up, not have my/our affairs administered by a court or a judicial officer, not have my/our business activities suspended and not the subject of legal proceedings for any of the foregoing reasons;
4. I/we do not have, and our directors and officers not have been convicted of any criminal offence related to my/our professional conduct or the making of false statements or misrepresentations as to my/our qualifications to enter into a procurement contract within a period of three years preceding the commencement of this procurement process, or not have been otherwise disqualified pursuant to debarment proceedings;
5. I/we do not have a conflict of interest as specified in the Act, Rules and the Bidding Document, which materially affects fair competition;

Date : Signature of Bidder
Place :

Name:
Designation:
Address:

Grievance Redress during Procurement Process

The designation and address of the First Appellate Authority is: Mines Dept, GOR

The designation and address of the Second Appellate Authority is: Finance Dept., GOR

1. **Filing an appeal** : If any Bidder or prospective bidder is aggrieved that any decision, action or omission of the Procuring Entity is in contravention to the provisions of the Act or the Rules or the Guidelines issued there under, he may file an appeal to First Appellate Authority, as specified in the Bidding Document within a period of ten days from the date of such decision or action, omission, as the case may be clearly giving the specific ground or grounds on which he feels aggrieved: Provided that after the declaration of a Bidder as successful the appeal may be filed only by a Bidder who has participated in the procurement proceedings: Provided further that in case a Procuring Entity evaluates the technical bids before the opening of the financial Bids, an appeal related to the matter of Financial Bids may be filed only by a Bidder whose Technical Bid is found to be acceptable.
2. The officer to whom an appeal is filed under para (1) shall deal with the appeal as expeditiously as possible and shall endeavor to dispose it of within thirty days from the date of the appeal.
3. If the officer designated under para (1) fails to dispose of the appeal filed within the period specified in para (2) or if the Bidder or prospective bidder or the Procuring Entity is aggrieved by the order passed by the First Appellate Authority, the bidder or prospective bidder or the Procuring Entity, as the case may be, may file a second appeal to Second Appellate Authority specified in the Bidding Document in this behalf within fifteen days from the expiry of the period specified in para (2) or of the date of receipt of the order passed by the First Appellate Authority, as the case may be.
4. **Appeal not to lie in certain cases** :No appeal shall lie against any decision of the Procuring Entity relating to the following matters, namely:-
 - a. Determination of need of procurement;
 - b. Provisions limiting participation of Bidders in the Bid process;
 - c. The decision of whether or not to enter into negotiations ;
 - d. Cancellation of a procurement process;
 - e. Applicability of the provisions of confidentiality.
5. **Form of Appeal**
 - a. An appeal under para (1) or (3) above shall be in the annexed form along-with as many copies as there are respondents in the appeal;
 - b. Every appeal shall be accompanied by an order appealed against, if any, affidavit verifying the facts stated in the appeal and proof of payment of fee.
 - c. Every appeal may be presented to First Appellate Authority or Second Appellate Authority, as the case may be, in person or through registered post or authorized representative.
6. **Fee for filing appeal**
 - a. Fee for the first appeal shall be rupees two thousand five hundred and for second appeal shall be rupees ten thousand, which shall be non-refundable.
 - b. The fee shall be paid in the form of bank demand draft or bankers' cheque of a Scheduled Bank in India payable in the name of Appellate Authority concerned.
7. **Procedure for disposal of appeal**
 - a. The First Appellate Authority or Second Appellate Authority, as the case may be, upon filing of appeal, shall issue notice accompanied by copy of appeal, affidavit and documents, if any, to the respondents and fix date of hearing.
 - b. On the date fixed for hearing, the First Appellate Authority or Second Appellate Authority , as the case may be, shall –
 - c. Hear all the parties to appeal present before him; and
 - d. Peruse or inspect documents, relevant records or copies thereof relating to the matter.
 - e. After hearing the parties, perusal or inspection of documents and relevant records or copies thereof relating to the matter, the Appellate Authority concerned shall pass an order in writing and provide the copy of order to the parties to appeal free of cost.
 - f. The order passed under sub-clause (c) above shall also be placed on the State Public Procurement Portal.

**Memorandum of Appeal under the Rajasthan Transparency in Public Procurement,
Act 2012**

Appeal No..... of

Before the (First /Second Appellate Authority)

1. Particulars of appellant :

(i) Name of the appellant :

(ii) Official address, if any:

(iii) Residential address:

2. Name and address of the respondent(s) :

(i)

(ii)

(iii)

3. Number and date of the order appealed against and name and designation of the officer/authority who passed the order (enclose copy), or a statement of a decision, action or omission of the Procuring Entity in contravention to the provisions of the Act by which the appellant is aggrieved:

4. If the Appellant proposes to be represented by a representative, the name and postal address of the representative :

5. Number of affidavits and documents enclosed with the appeal :

6. Ground of appeal:.....

.....

.....

.....(Supported by an affidavit)

7. Prayer:.....

.....

Appellant's signature :

Place:

Date:

Additional Conditions of Contract

1. Correction of arithmetical errors :Provided that a Financial Bid is substantially responsive, the Procuring Entity will correct arithmetical errors during evaluation of

- i) if there is a discrepancy between the unit price and the total price that is obtained by multiplying the unit price and quantity, the unit price shall prevail and the total price shall be corrected, unless in the opinion of the Procuring Entity there is an obvious misplacement of the decimal point in the unit price, in which case the total price as quoted shall govern and the unit price shall be corrected;
- ii) If there is an error in a total corresponding to the addition or subtraction of sub totals, the subtotals shall prevail and the total shall be corrected; and
- iii) If there is a discrepancy between words and figures, the amount in words shall prevail, unless the amount expressed in words is related to an arithmetic error, in which case the amount in figures shall prevail subject to (i) and (ii) above.

If the Bidder that submitted the lowest evaluated bid does not accept the correction of errors, its bid shall be disqualified and its Bid Security shall be forfeited or its Bid Securing Declaration shall be executed.

2. Procuring Entity's Right to Vary Quantities: At the time of award of contract, the quantity of Goods, works or services originally specified in the Bidding Document may be increased or decreased by a specified percentage, but such increase or decrease shall not exceed twenty percent, of the quantity specified in the Bidding Document. It shall be without any change in the unit price or other terms and conditions of the bid and the conditions of contract. If the Procuring Entity does not procure any subject matter of procurement or procures less than the quantity in the Bidding Document due to change in circumstances, the bidder shall not be entitled for any claim or compensation except otherwise provided in the conditions of contract. In case of procurement of goods or services, additional quantity may be procured by placing a repeat order on the rates and conditions of the original order. However, the additional quantity shall not be more than 50% of the value of goods of the original contract and shall be within one month from the date of expiry of last supply. If the supplier fails to do so, Procuring Entity shall be free to arrange for the balance supply by limited bidding or otherwise and the extra cost incurred shall be recovered from the supplier.

Dividing quantities among more than one bidder at the time of award (In case of procurement of goods): As a general rule all the quantities of the subject matter of procurement shall be procured from the bidder, whose bid is accepted. However, when it is considered that the quantity of the subject matter of procurement to be procured is very large and it may not be in the capacity of the bidder, whose bid is accepted, to deliver the entire quantity or when it is considered that the subject matter of procurement to be procured is of critical and vital nature, in such cases, the quantity may be divided between the bidder, whose bid is accepted and the second lowest bidder or even more bidders in that order, in a fair, transparent and equitable manner at the rates of the bidder, whose bid is accepted.

Application by MSME for Purchase Preference in Procurement of Goods

To,
The General Manager
DIC, District

1. Name of Applicant with Post:
2. Permanent Address:
3. Contact Details:
 - a. Telephone No.:
 - b. Mobile No.:
 - c. Fax No.:
 - d. Email Address:
4. Name of micro & small enterprise:
5. Office Address:
6. Address of Work Place:
7. No. & Date of Entrepreneurs Memorandum-II/UdyogAadhaar Memorandum: (enclose photo copy):
8. Products which Entrepreneurs Memorandum-II/UdyogAadhaar Memorandum availed:
9. Products which are at present being produced by the enterprise:
10. Products for which purchase preference has been applied for:
11. Production capacity as per Capacity Assessment Certificate (enclose photocopy of Capacity Assessment Certificate):

Serial No.	Product	Product Production Capacity	
		Quantity	Value
1			
2			
3			

12. List of Plant & Machinery installed:

Serial No.	Name of Plant & Machinery	Quantity	Value
1			
2			
3			

13. List of Testing Equipment's installed:

Serial No.	Name of Testing Equipment's	Quantity	Value
1			
2			
3			

14. Benefits availed in last financial year and current financial year:

a. Benefits depositing Bid Security and Performance Security:

Last Financial Year			Current Financial Year	
Department	Bid Security	Performance Security	Bid Security	Performance Security

b. Details of Supply orders received:

Last Financial Year				Current Financial Year		
Department	No. & Date of purchase order	Amount for which purchase order received	Amount of goods supplied	No. & Date of purchase order	Amount for which purchase order received	Amount of goods supplied

I declare that the above all facts given in the application are correct and my enterprise is producing the items mentioned in column No. 10.

Date

Signature

(Name of the applicant along with seal of post)

Office of the District Industries Centre _____

CERTIFICATE

File No. _____

Date _____

It is certified that M/s _____ was inspected by _____ on dated _____ and the facts mentioned by the enterprise are correct as per the record shown by the applicant. The enterprise is eligible for Purchase Preference under this notification.

The certificate is valid for one year from the date of its issue.

Office Seal Signature

(Full Name of the Officer)
General Manager
District Industries Centre
Rubber Seal/Stamp

Enclosure-

(1) Application

(2)

(3)

Format of Affidavit

I _____ S/o _____ Aged _____ Yrs _____

Residing at _____

Proprietor/Partner/Director of M/s _____ do hereby solemnly affirm and declare that:

a. My/Our above noted enterprise M/s _____ has been issued acknowledgment of Entrepreneurial Memorandum Part - II by the District Industries Center The acknowledgement No. is dated and has been issued for manufacture of following items

Name of Item	Production Capacity (Yearly)
(i)	
(ii)	
(iii)	
(iv)	
(v)	

b. My/Our above noted acknowledgement of Entrepreneurial Memorandum Part - II has not been cancelled or withdrawn by the Industries Department and that the enterprise is regularly manufacturing the above items.

c. My/Our enterprise is having all the requisite plant and machinery and is fully equipped to manufacture the above noted items.

Signature of Proprietor/ Director Authorized Signatory

with Rubber Stamp and date

Date- _____

Place _____

Part-II**Rate Schedule (Price Bid)**

(To be given in separate sealed cover)

NIT No.RSMM/SBU-PC (LS)/GGM-LS/MM/NIT-01/2022-23 on Dated 06.05.2022

SUBJECT: "Rate Contract for Supply of shaft material & fabrication of shaft of double roll crusher's rotor & repairing the bore hole Dia. of V-belt pulley of crusher"

Name of the bidder.....

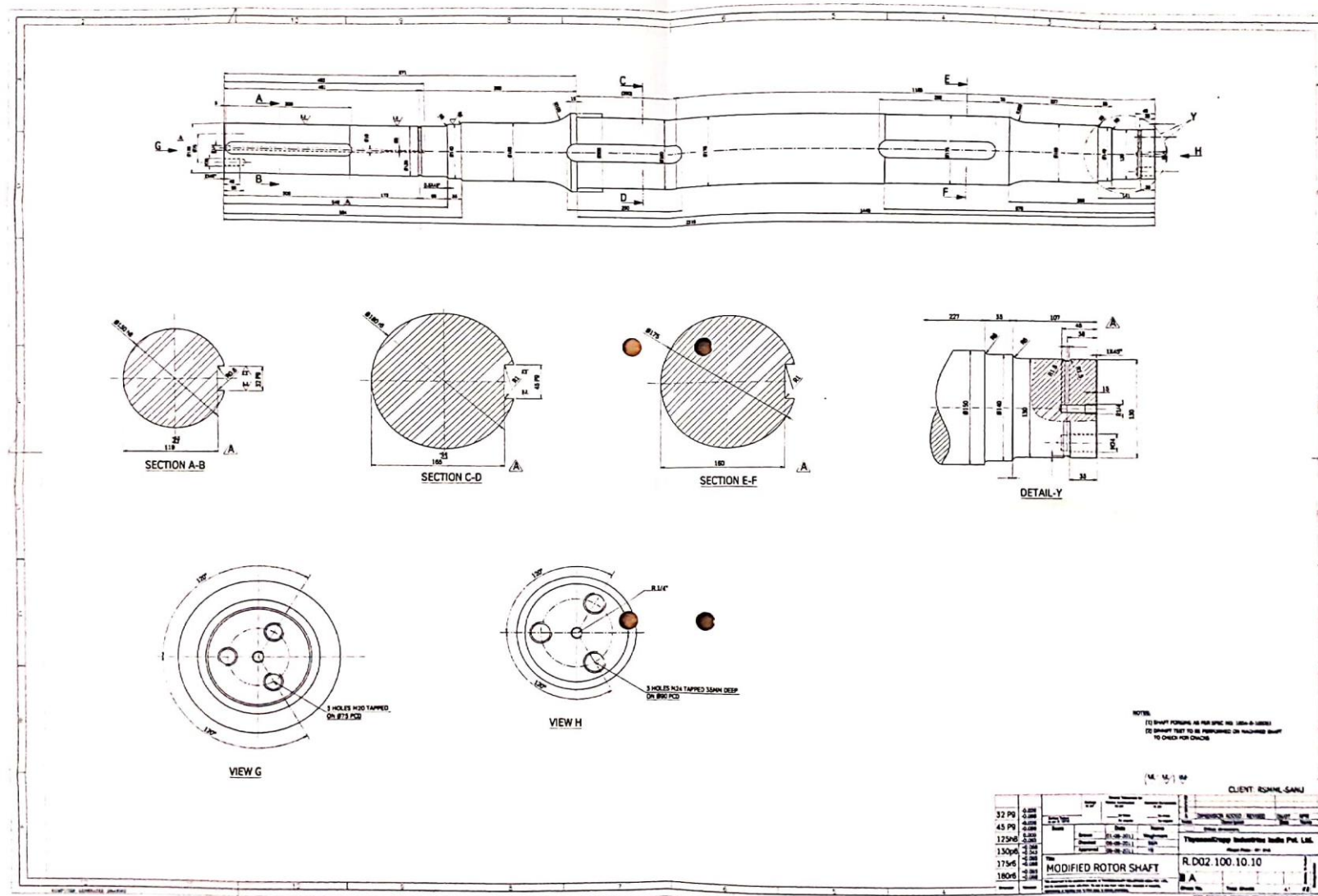
S. No.	Description/Specification	Unit Rate (Rs.)	SGST	CGST	Freight Charges up to Sanu Mines, Jaisalmer	Any other charges	Total Landed Cost at Sanu Mines
1	Fabrication of new crusher's rotor shaft by using CK 45 N forged steel (for ThyssenKrupp make crusher; Ø 1000 X 1200); its proper normalization prior to its replacement by damaged rotor shaft fitted in rotor supplied by us, after carrying out all other related repair works including removing of damaged shaft, line boring, welding etc. However, you may have to replace taken out keys, fabrication of bush plate (if required necessary) and their fitting back with new fabricated shaft in rotor as per enclosed drawing etc. Shaft materials used for fabrication shall be duly tested from authorized laboratory, in addition to other related tests like ultrasonic test for detecting cracks etc and the same will be supported by certificate for its being a genuine material & defect less in all respects. However, the final specification of fabricated shaft used by you in assembling work shall match with our drawing (i.e. length of finished shaft 2319 mm & Ø 200mm). (As per Drawing at Annexure – XVIII of shaft of Roll crusher rotor)						
2.	Work of repairing the worn out inner bore Dia. of V-belt pulley (i.e. Boring the inner bore Dia. up to 145 mm and fill up the welded material up to 125 mm dia. then after again turning the inner bore dia. up to 130 mm and making the key way groove) as per Drawing at Annexure – XIX of V Belt pulley of Roll crusher rotor. Supply the new key as per dimensions of pulley and shaft key way groove.						
Total Landed Cost (Rs.)							

- Note: 1.** Please quote the duties and taxes as per applicable rate (on the date of opening of the Tender).
2. Price shall remain firm and fixed during the period of contract.
3. If any particular item is not applicable, please write "Not applicable".
4. Please enclosed separate sheet in given format, if required.

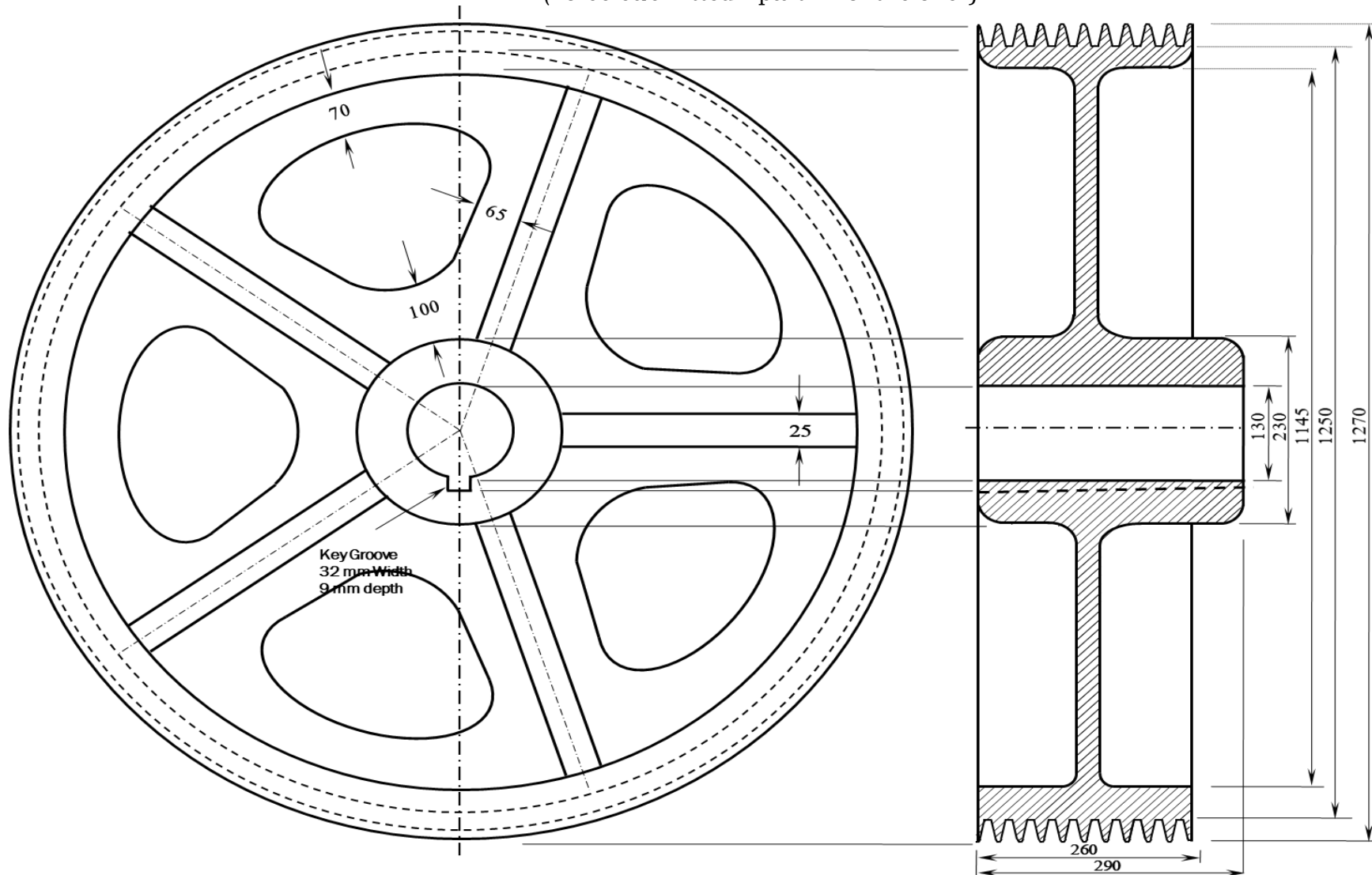
Signature of Tenderer with official stamps

Date & Place:

DRAWING THE SHAFT OF DOUBLE ROLL CRUSHER ROTOR
 (To be submitted - part - I of the offer)



DRAWING THE 'V' Belt PULLEY OF DOUBLE ROLL CRUSHER ROTOR
(To be submitted - part - I of the offer)



'V' BELT PULLEY
(Crusher)