



Rajasthan State Mines & Minerals Limited

(A Government of Rajasthan Enterprise)

SBU & PC ROCK PHOSPHATE, Jhamarkotra Mines Dist. Udaipur - 313 015

Via. & Dist. Udaipur (Rajasthan) Phone: 2342441-43 Telefax: (0294) 2342444

E-mail: purchase.jkt@rsmm.com, satishk@rsmm.com Website: www.rsmm.com

CORRIGENDUM

NIT No. & Date	Brief Description of Work	Contract Value (Rs.)	EMD (Rs.)	Cost of Tender Document (Rs.)	SBU & PC	Contact Person
NIT No. 11 Dated 28.06.2016 due date extended up-to 24/08/2016 along with addendum	Fabricated Nature of Items	630000/-	12600/-	573/-	ROCK PHOSPHATE, Jhamarkotra	DGM (MM)



Rajasthan State Mines & Minerals Limited

(A Government of Rajasthan Enterprise)

SBU & PC ROCK PHOSPHATE, Jhamarkotra Mines Dist. Udaipur - 313 015

Via. & Dist. Udaipur (Rajasthan) Phone: 2342441-43 Telefax: (0294) 2342444

E-mail: purchase.jkt@rsmm.com, satishk@rsmm.com Website: www.rsmm.com

ADDENDUM

The description of Item No. 2 of NIT-11/16-17 may be read as under:-

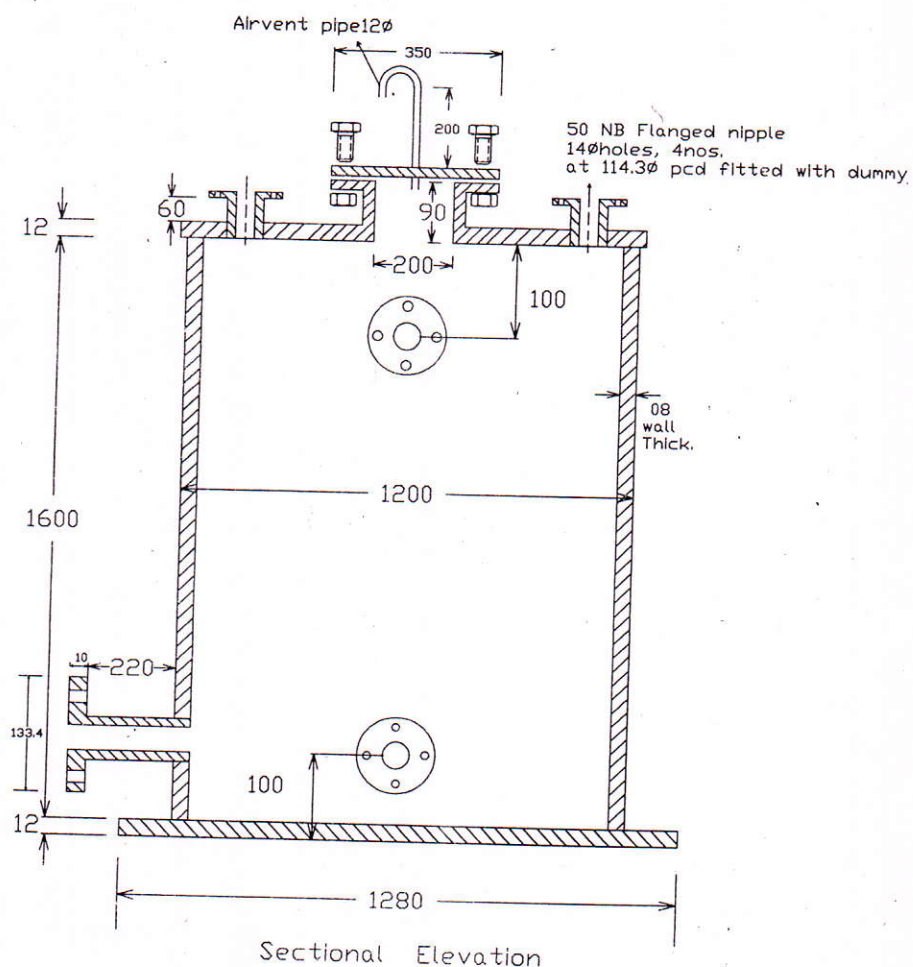
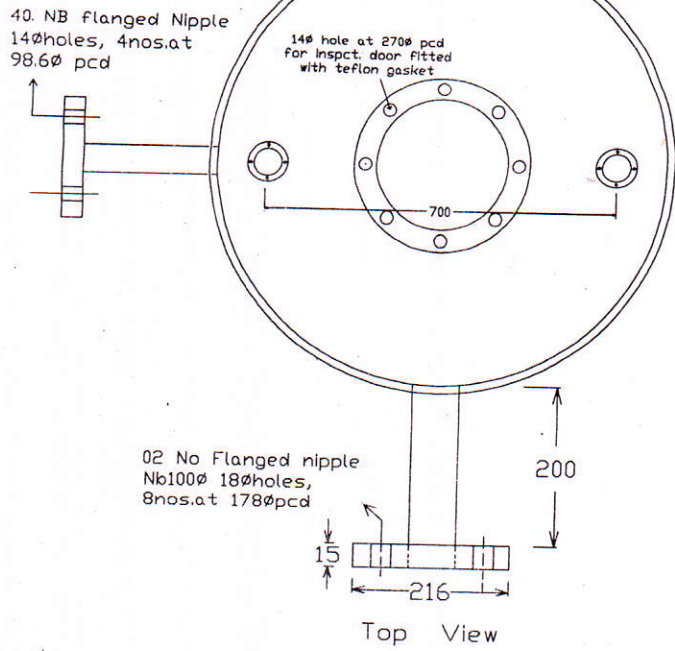
Description as per tender	Addendum
Phosphoric Acid Dosing Tank (Drawing No. IBP - MPP - MECH. - MK - 140 / 2011)	Sulphuric Acid Dosing Tank (Drawing No. IBP - MPP - MECH. - MK - 140 / 2011)

Further, Drawing No. IBP-MPP-MECH-MK/Cyclone/162/2012 may be ignored and Drawing No. IBP/MPP/MECH/MK/139/2011 (Item No. 1) and IBP/MPP/MECH/MK/140/2011 (Item No. 2) are amended and enclosed.

The due date of above tender is extended up-to **24.08.2016**.

SULPHURIC ACID DOSING TANK

R/14-111
(1 to 11)

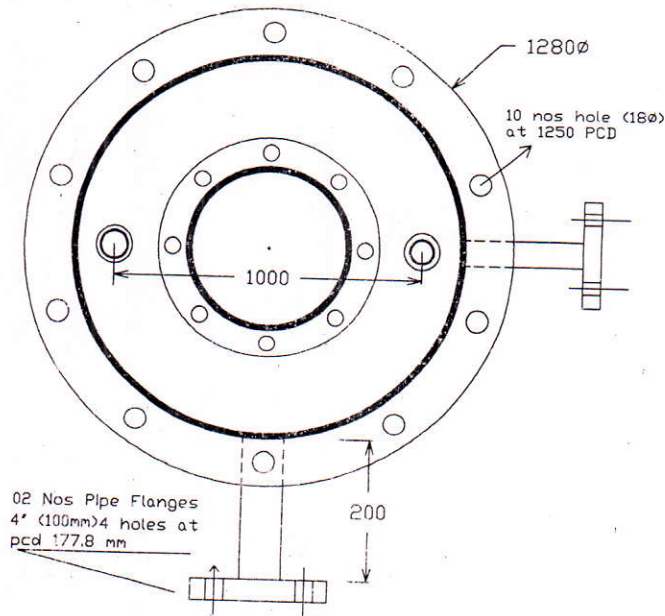


Shah
23/7/16
DM (Mech) MRD

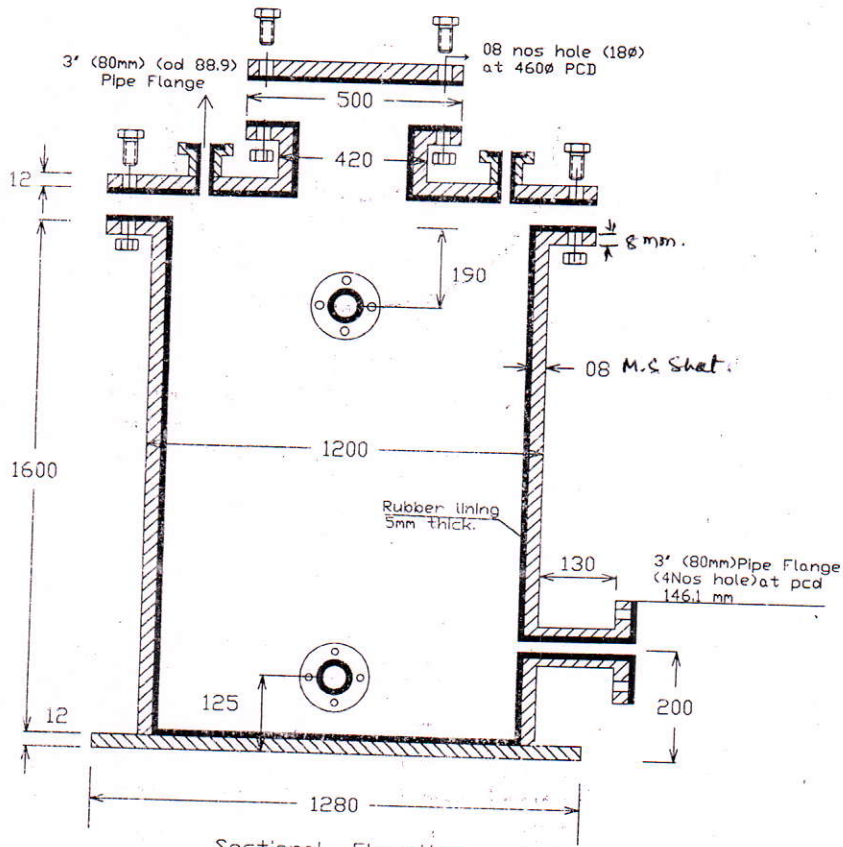
	RAJASTHAN STATE MINES AND MINERALS LTD. (A GOVT. OF RAJ. ENTERPRISE)
NAME	- SULPHURIC ACID DOSING TANK
DRG NO.	- IBP / MPP / MECH. / MK/140 / 2011
MATERIAL	- MILD STEEL
DIMENSIONS ARE IN MM AND DRG. NOT TO SCALE	
REMARKS - Flanges are as per BS 10 table E	

Phosphoric ACID DOSING TANK

R/14-ii
(ii)



Top View



Sectional Elevation

RAJASTHAN STATE MINES AND MINERALS LTD. (A GOVT. OF RAJ. ENTERPRISE)
NAME - Phosphoric ACID DOSING TANK
DRG NO. - IBP / MPP / MECH. / MK / 139 / 2011
MATERIAL - M.S. with Hot Rubber Lining
DIMENSIONS ARE IN MM AND DRG. NOT TO SCALE.
REMARKS -

Shat
123/7716
SM / Mech - MPP